

## 藥學科技(二) 期末報告 --- sci finder and innovation

B303098208 蘇達騏

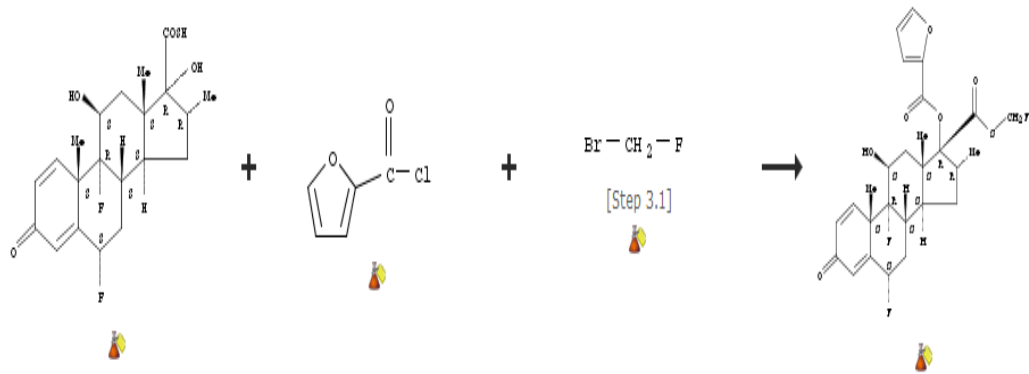
1. sci finder

### **Fluticasone furoate nasal spray is more effective than fexofenadine for nighttime symptoms of seasonal allergy**

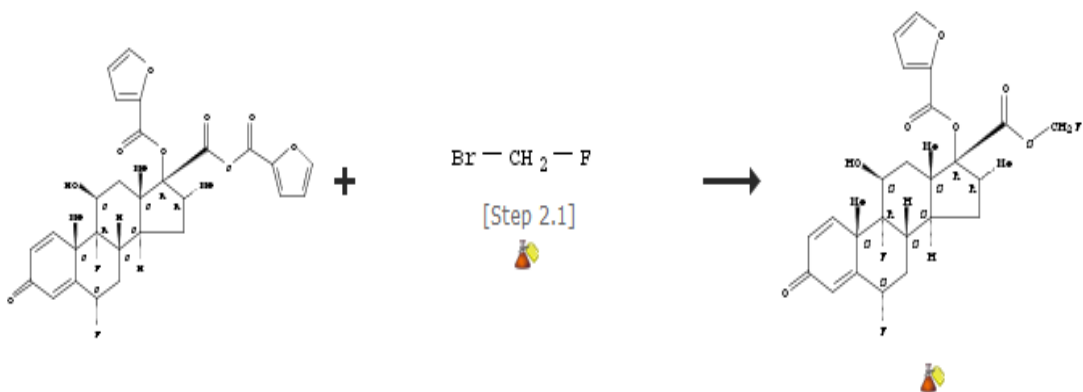
By: Andrews, Charles P.; Martin, Bruce G.; Jacobs, Robert L.; Mohar, Dale E.; Diaz, Joseph D.; Amar, Niran J.; Kaiser, Harold B.; Vandewalker, Mark L.; Bernstein, Jonathan; Toler, William T.; Prillaman, Barbara A.; Dalal, Anand A.; Lee, Laurie A.; Philpot, Edward E.

Nasal symptoms of allergic rhinitis are an important cause of sleep disturbance. Redn. of nasal symptoms, particularly nasal obstruction, has been linked to improvements in self-reported sleep quality. The enhanced-affinity intranasal corticosteroid fluticasone furoate and the oral antihistamine fexofenadine were compared with respect to nighttime symptoms of seasonal allergic rhinitis. In two randomized, double-blind, double-dummy, parallel-group studies, patients received fluticasone furoate nasal spray (FFNS), 110 µg (study 1, n = 312; study 2, n = 224); fexofenadine, 180 mg (study 1, n = 311; study 2, n = 227); or placebo (study 1, n = 313; study 2, n = 229) once daily for 2 wk. Fluticasone furoate was more effective ( $p < 0.001$ ) than fexofenadine and placebo in both studies with respect to the mean changes from baseline over the treatment period in the nighttime symptoms score, nighttime reflective total nasal symptom score, predose instantaneous nasal symptom score, and morning peak nasal inspiratory flow. Fluticasone furoate was more effective than placebo ( $p \leq 0.001$ ) in study 1 and more effective than both placebo and fexofenadine ( $p \leq 0.034$ ) in study 2 with respect to the mean changes from baseline in the nighttime reflective total ocular symptom score and predose instantaneous total ocular symptom score. In these double-dummy studies, fexofenadine did not sep. from placebo in comparisons of the nighttime symptoms score or the nighttime nasal or ocular symptom measures. The incidence of adverse events was similar among groups. FFNS once daily was more effective than fexofenadine and placebo with respect to nighttime sleep disturbance caused by seasonal allergy symptoms.

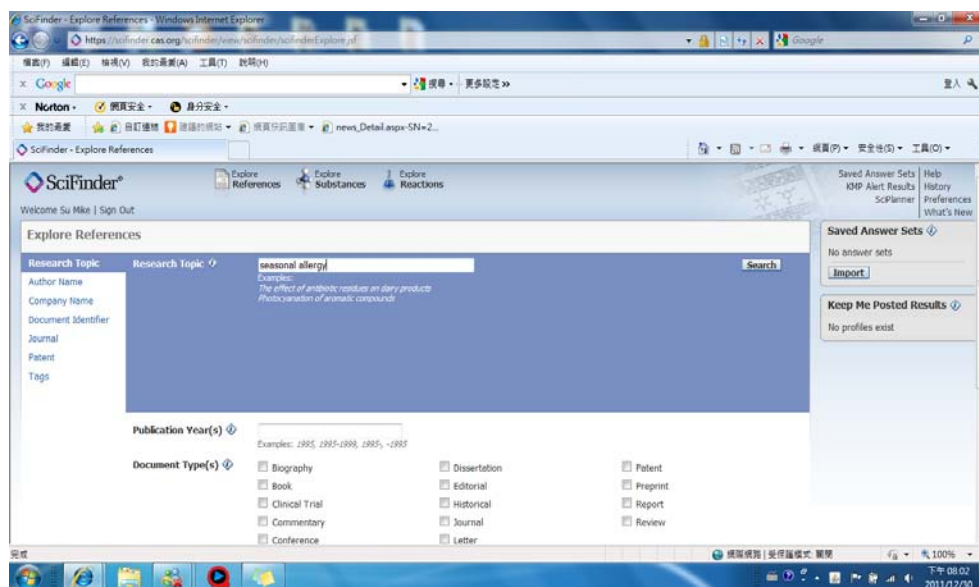
Fluticasone furoate 的一般合成方法：

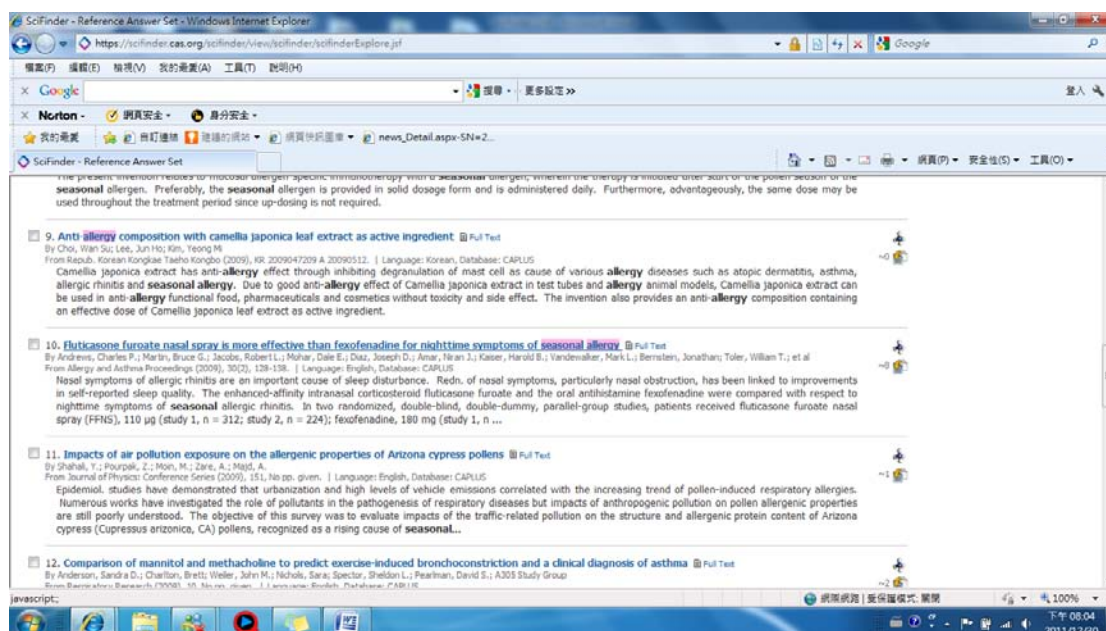
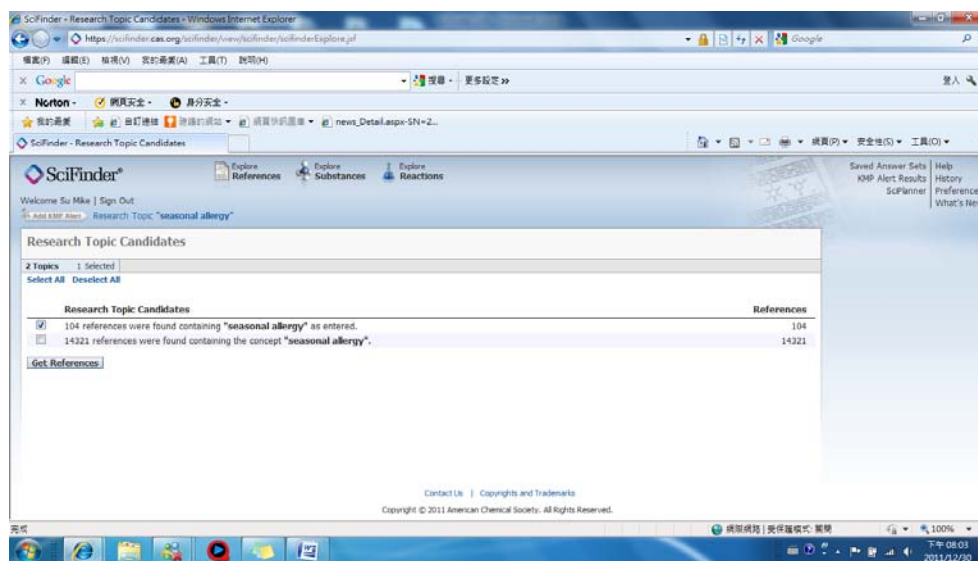


或是



使用過程：





使用心得：

這是我第一次真正地接觸並學習一個專業資料的搜尋庫的使用。在以往，若有需要蒐尋一些藥品相關資料時，總是用 yahoo 的知識、google 或是 wiki。縱然它們也能夠找到不少東西，但仍有兩個很大的缺點。首先，出來的資料過於雜亂，除了一筆筆的去篩檢外，幾乎別無他法。再來就是資料的正確性，畢竟像 wiki 這種開放的網路百科是人人都可去編纂的，而撰寫者是否真的具有專業的知識背景也無從可考。所以，真的要很感謝老師讓我們有機會能學到這些軟體的使用。其實像很多做報告時後，我常常需要一些正確的資料或論文加以輔佐，而 sci finder 強大的功能確實能幫上非常多的忙。它不僅網羅了數不盡的 paper，更重要的是他能夠輕鬆得幫我們分好類，讓我們得以不必在茫茫大海中找尋那一根針。也很希望以後學弟妹的課程中依然能夠保留這個教學，因為他的實用性真的很高。更

希望學校能多進幾套，並且可以購買完整版的，這樣才能更加妥善地利用他。

## 2.innovation



US00D650065S

(12) **United States Design Patent** (10) **Patent No.:** **US D650,065 S**  
**Berger et al.** (45) **Date of Patent:** **\*\* Dec. 6, 2011**

(54) **NOZZLE FOR NASAL SPRAY DEVICE**  
(75) Inventors: **Robert L. Berger**, Bound Brook, NJ  
(US); **Michael L. Turini**, Cranford, NJ  
(US); **Peter A. Basile**, Bloomsbury, NJ  
(US); **Stephen Miggels**, Wyckoff, NJ  
(US); **Henry J. Mack, Jr.**, Phillipsburg,  
NJ (US)  
(73) Assignee: **Schering Corporation**, Kenilworth, NJ  
(US)  
(\*\*) Term: **14 Years**  
(21) Appl. No.: **29/327,288**  
(22) Filed: **Nov. 3, 2008**  
(51) **LOC (9) CI.** ..... **29-02**  
(52) **U.S. CL.** ..... **D24/110; D24/115**  
(58) **Field of Classification Search** ..... D24/114–115,  
D24/130, 135, 108, 112–113, 110; D9/435,  
D9/444–445, 447–448, 523, 526, 551, 575,  
D9/558, 686, 723, 443, 449; 222/321.6,  
222/105, 402.1, 402.21, 402.22, 402.23,  
222/424.24, 402.24, 525; 604/94.01, 300,  
604/302; 606/199–200; 128/200.14  
See application file for complete search history.

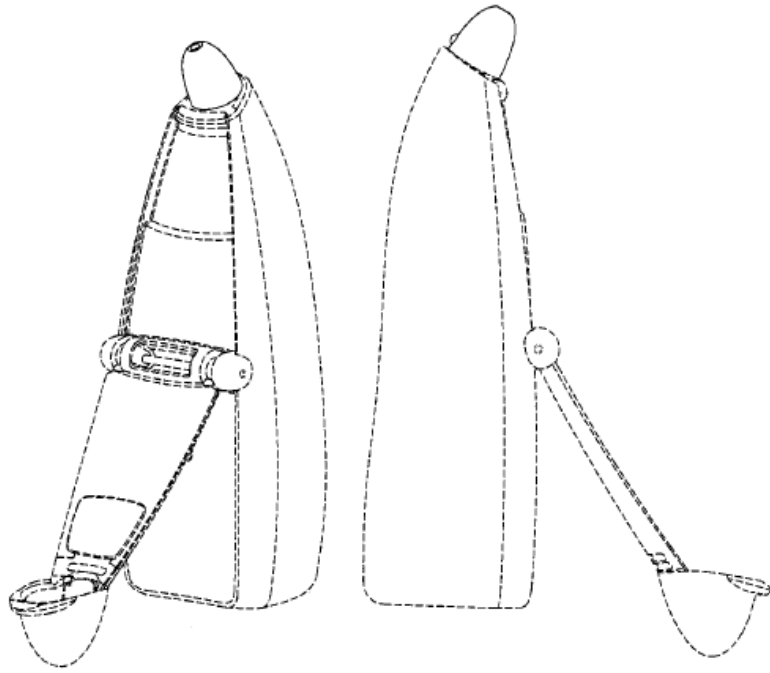
\* cited by examiner  
*Primary Examiner* — Ian Simmons  
*Assistant Examiner* — Wan Laymon  
(74) *Attorney, Agent, or Firm* — Barry H. Jacobsen; Valerie  
J. Camara

(57) **CLAIM**  
The ornamental design for a nozzle for nasal spray device, as  
shown and described.

**DESCRIPTION**  
FIG. 1 is a perspective view of a nozzle for nasal spray device;  
FIG. 2 is a front elevational view thereof;  
FIG. 3 is a top plan view thereof;  
FIG. 4 is a left elevational view thereof, the right elevational  
view being a mirror image thereof;  
FIG. 5 is a rear elevational view thereof; and,  
FIG. 6 is a bottom plan view thereof.  
The broken line showings of FIGS. 1, 2, 3, 4, 5 and 6 are for  
illustrative purposes only and form no part of the claimed  
invention.

(56) **References Cited**  
U.S. PATENT DOCUMENTS  
2,577,321 A \* 12/1951 Filger ..... D24/110  
D325,357 S \* 4/1992 Worthington ..... D9/688

**1 Claim, 5 Drawing Sheets**



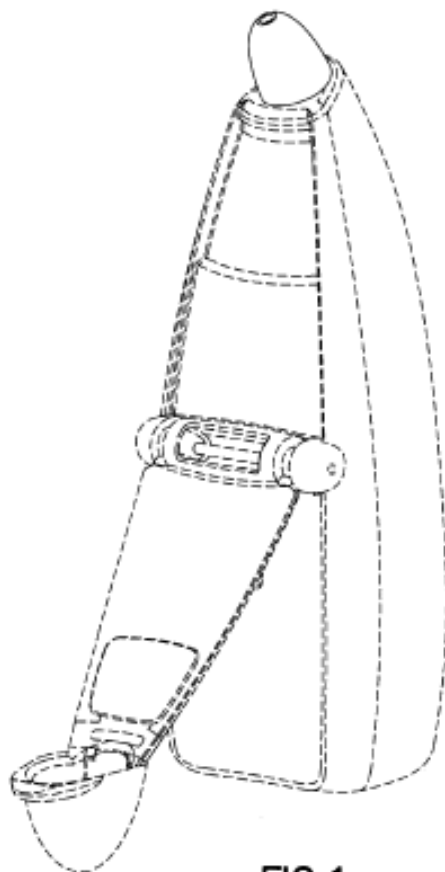


FIG. 1

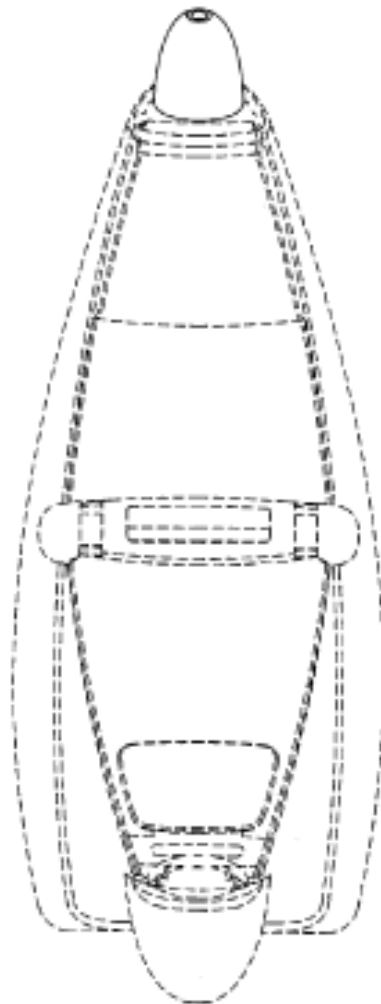


FIG. 2

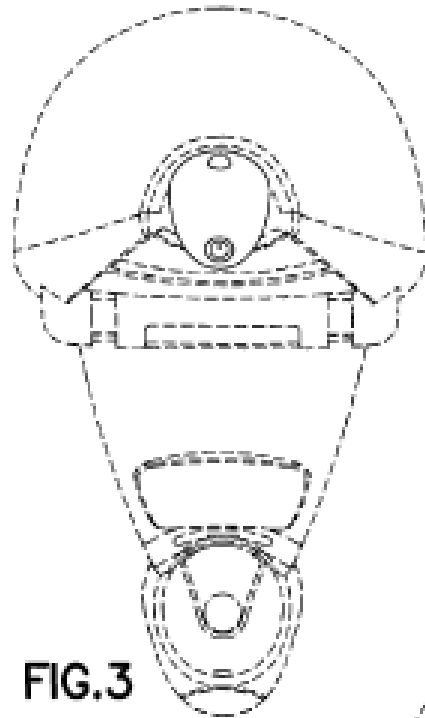


FIG. 3

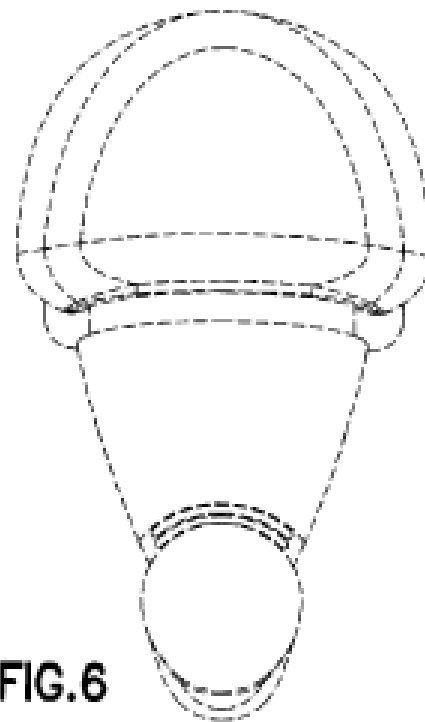


FIG. 6



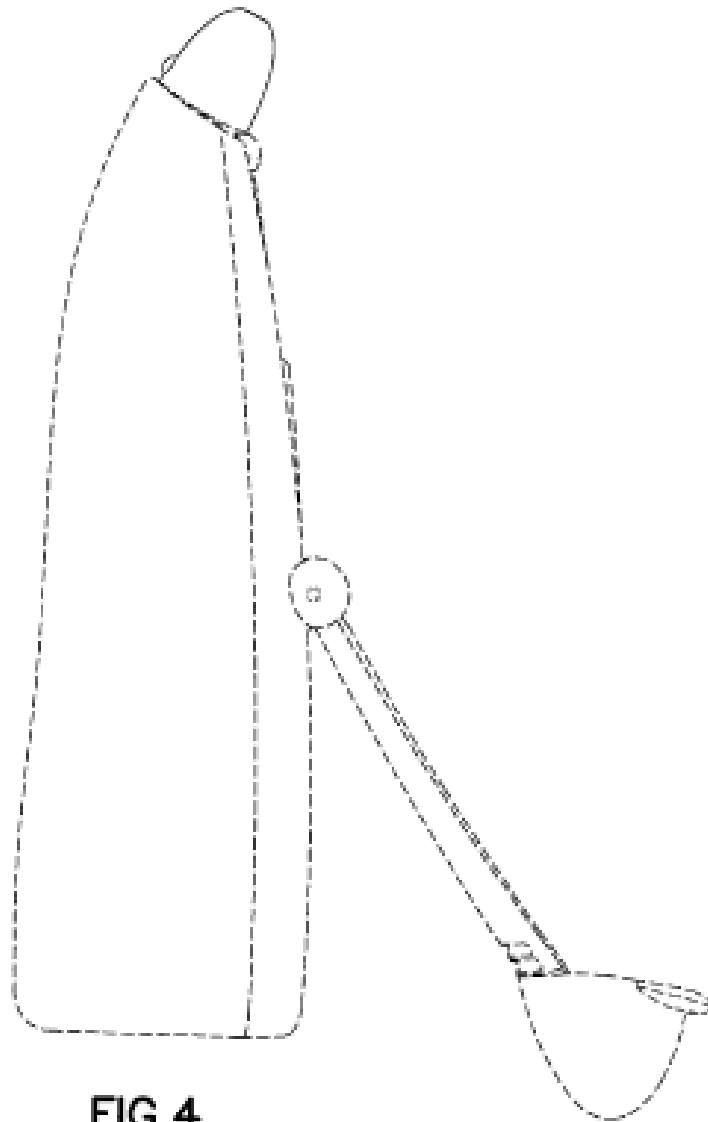
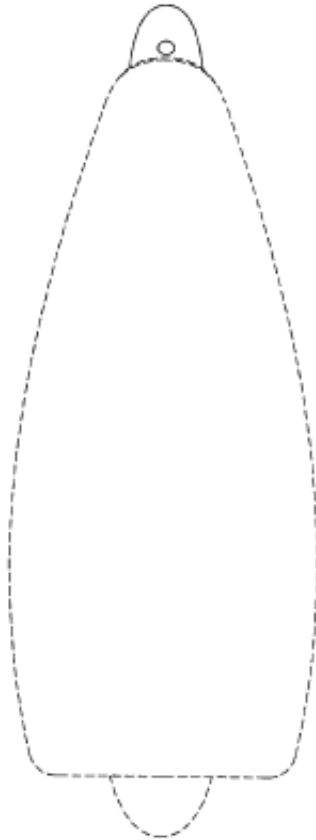
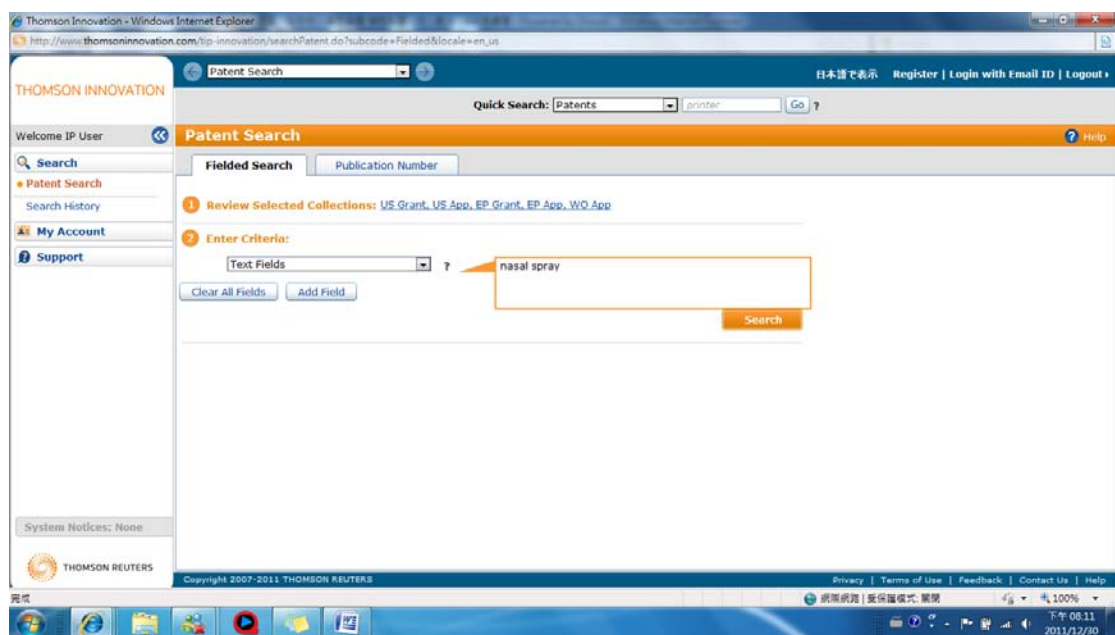


FIG. 4



使用過程：



The screenshot shows the Thomson Innovation Patent Result Set interface. The search term is 'Patents', and 24,545 records were found out of 18,394,987 searched. The results are displayed in a table with columns for patent number and date. The following table represents the data visible in the screenshot:

Patent Number	Title	Date
US8063222B2	Title: Method for promoting bone growth using activin-AcrIIIa antagonists	2011-11-22
US8063101B2	Title: Aryl sulfonamides useful as inhibitors of chemokine receptor activity	2011-11-22
US8048902B2	Title: Carotenoid analogs and derivatives for the prevention of platelet aggregation	2011-11-01
USD650065S1	Title: Antagonists of lysophosphatidic acid receptors	2011-12-06
US8071589B2	Title: Nozzle for nasal spray device	2011-12-06
US8067590B2	Title: Dihydrobenzoinzazoles	2011-11-29
	Title: Pyridone derivatives with MCH antagonistic activity and medicaments comprising these compounds	

心得：

我覺得 innovation 跟 scifinder 一樣都是非常便利的資料庫。然而，不同的是，這個資料庫可以找到更多的專利論文。就連隔熱杯墊一樣都有收錄其中。我想雖然自己現在會用到這個資料庫的機率不大，但因為以後也希望朝研發這條路去走。因此，能夠提早學會這些強大的工具真得是很值得的一件事。